

## Decentral treatment of Mercury wastes It's not rocket science!

Reinhard Schmidt, CEO/ owner

We consider ourselves as  
technology innovators, suppliers & coaches.

- Since 15 years in Munich/ Germany
- 10 Mio € annual turnaround
- At present mainly in EUR, AUS, AZE, IND
- 50 % business with mercury waste units

More info on [www.econindustries.com](http://www.econindustries.com)



Zero industrial waste ...!

# Decentral treatment of Mercury wastes

## Why?

Basel Convention:

**Controlling** transboundary movements of hazardous waste and their disposal

econ's Convention – we call it 'Basel 2.0':

**Avoidance** of transboundary movements of hazardous waste and their disposal

It's all about

taking over responsibility  
and saving money!

# Decentral treatment of Mercury wastes

## Local benefits

Increase of

Know-how

Added value

Qualified jobs

Independence

Transparency

Decrease of

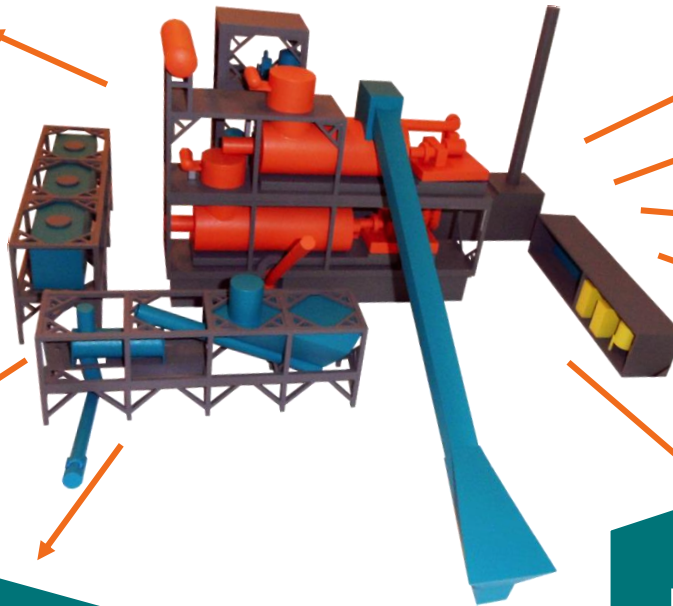
Expenses

Dependence

Transport hazards

Transport emissions

Export bureaucracy



## 3 types of Mercury waste

### 3 technology options

Soils & sludge

contaminated with elemental mercury

- Vacuum distillation - VacuDry<sup>®</sup>
- max. 400 °C; low vacuum < 50 mbar abs

Spent activated carbon & catalyst

contaminated with mercury compounds

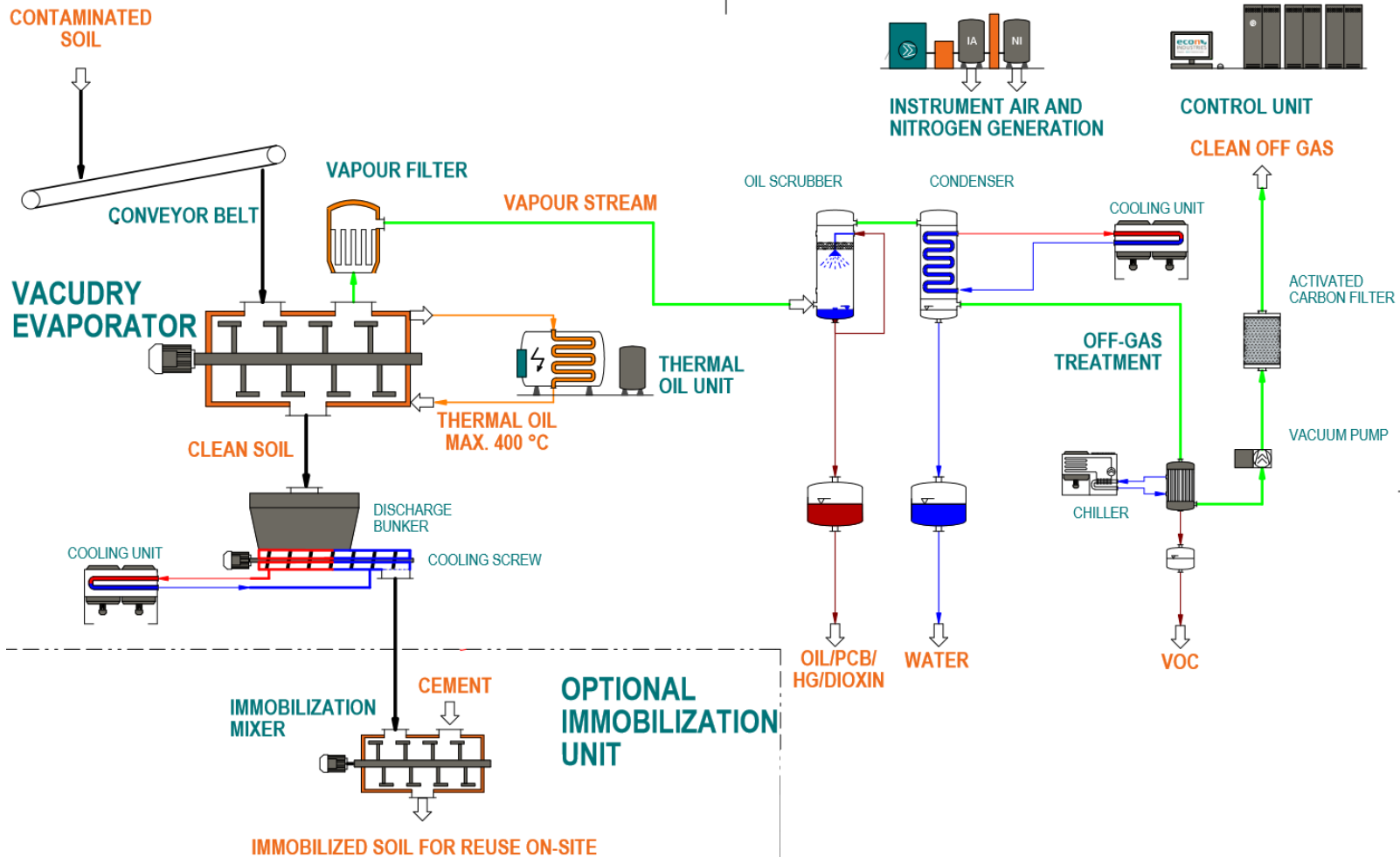
- High temperature treatment - HTTU
- max. 1,000 °C; atmospheric pressure

Pure elemental mercury

- Conversion to HgS
- max. 200 °C; atmospheric pressure

# Soils & sludge contaminated with elemental Mercury

## Vacuum distillation - VacuDry®



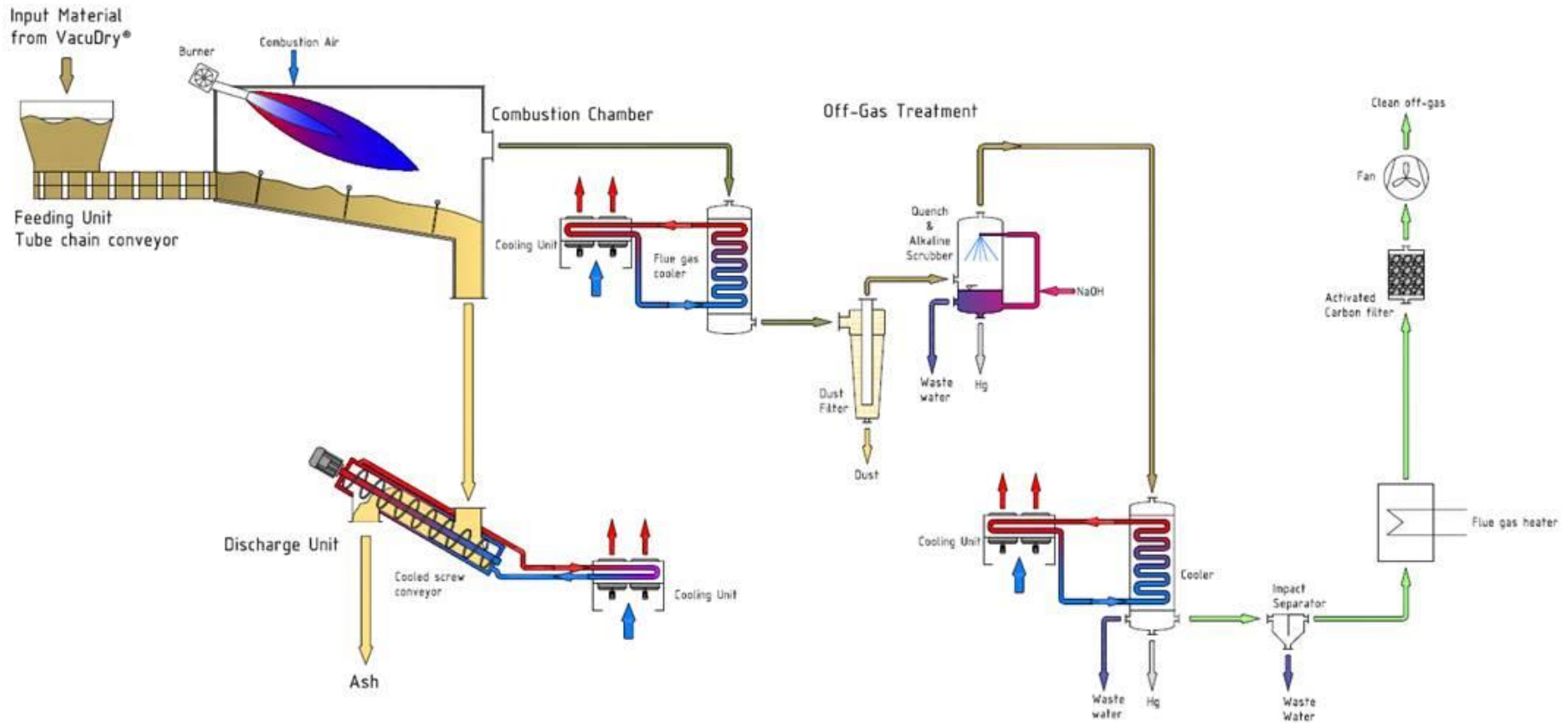
# Soils & sludge contaminated with elemental Mercury

## Vacuum distillation - VacuDry



# Spent activated carbon & catalyst contaminated with Mercury compounds

## High temperature treatment - HTTU



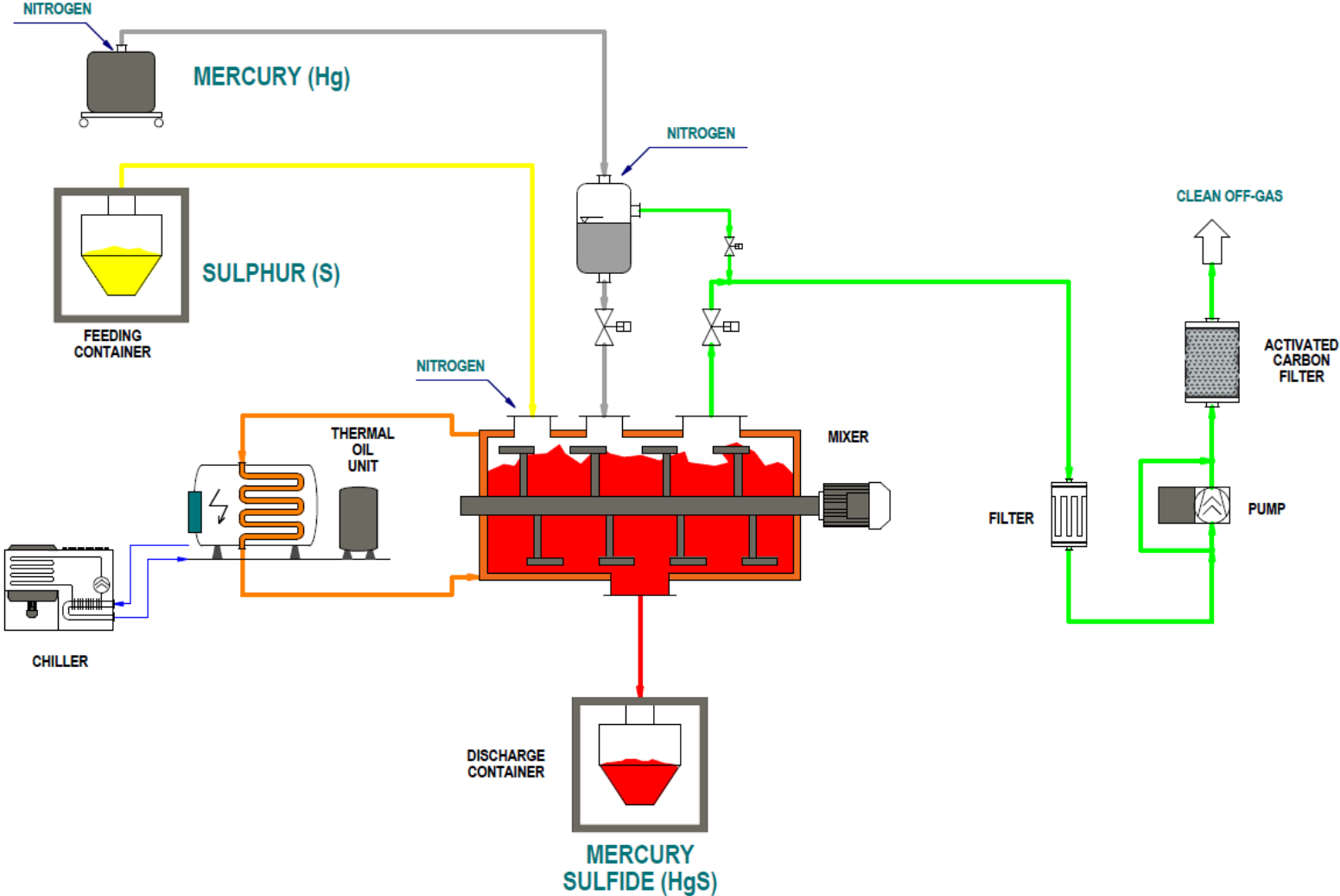
**Spent activated carbon & catalyst  
contaminated with Mercury compounds**  
**High temperature treatment unit - HTTU**





# Pure elemental Mercury

## Conversion to HgS



# Pure elemental Mercury

## Conversion to HgS

Elemental  
Mercury



Elemental  
Sulphur



Mercury  
sulphide  
(HgS)



# Decentral treatment of Mercury wastes It's not rocket science!

Reinhard Schmidt, CEO/ owner

[info@econindustries.com](mailto:info@econindustries.com)

**econ**   
INDUSTRIES

Zero industrial waste ...!



econ industries services GmbH  
Schiffbauerweg 1  
82319 Starnberg  
Germany  
+49 8151 446377-0  
[info@econindustries.com](mailto:info@econindustries.com)  
[www.econindustries.com](http://www.econindustries.com)